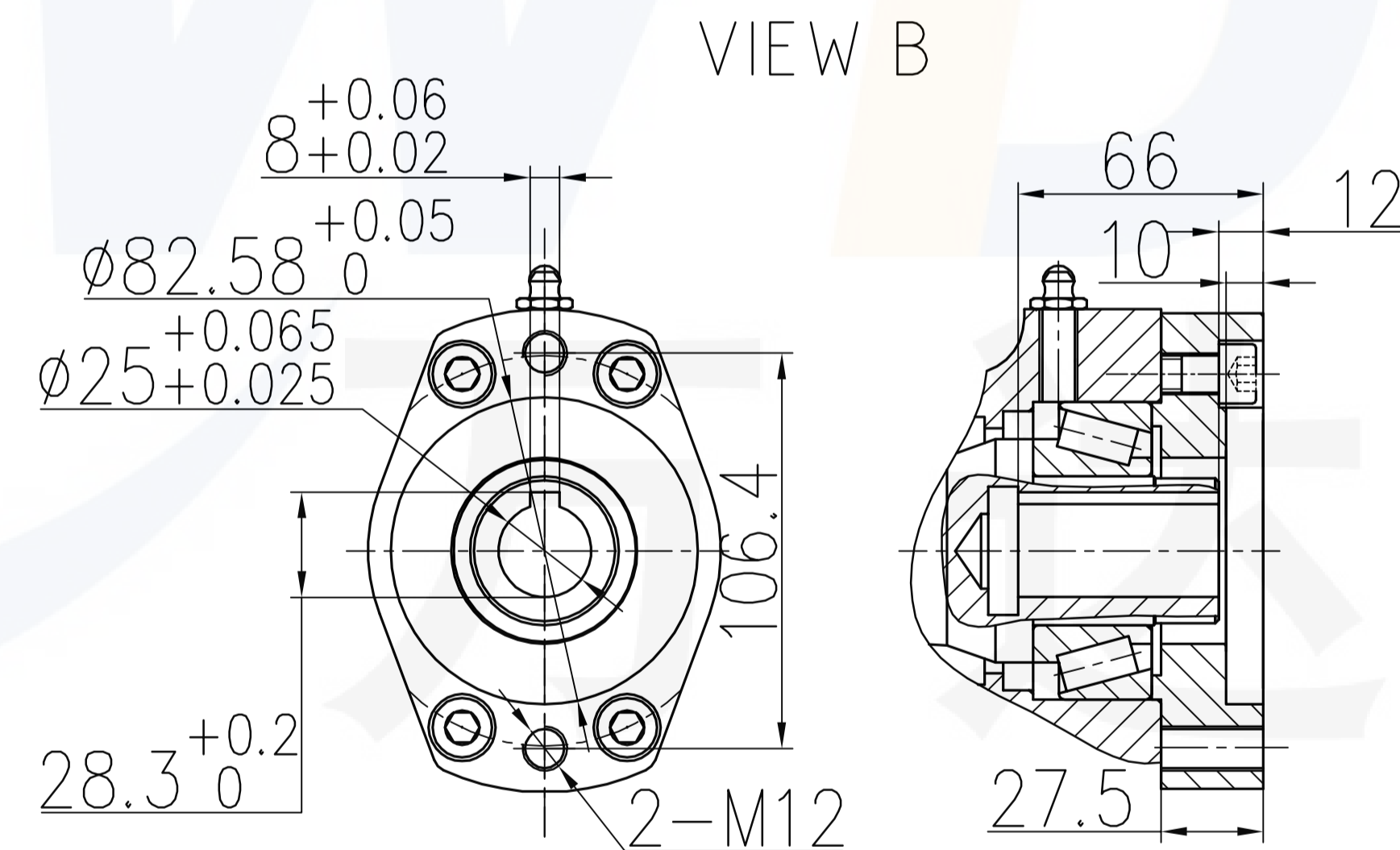
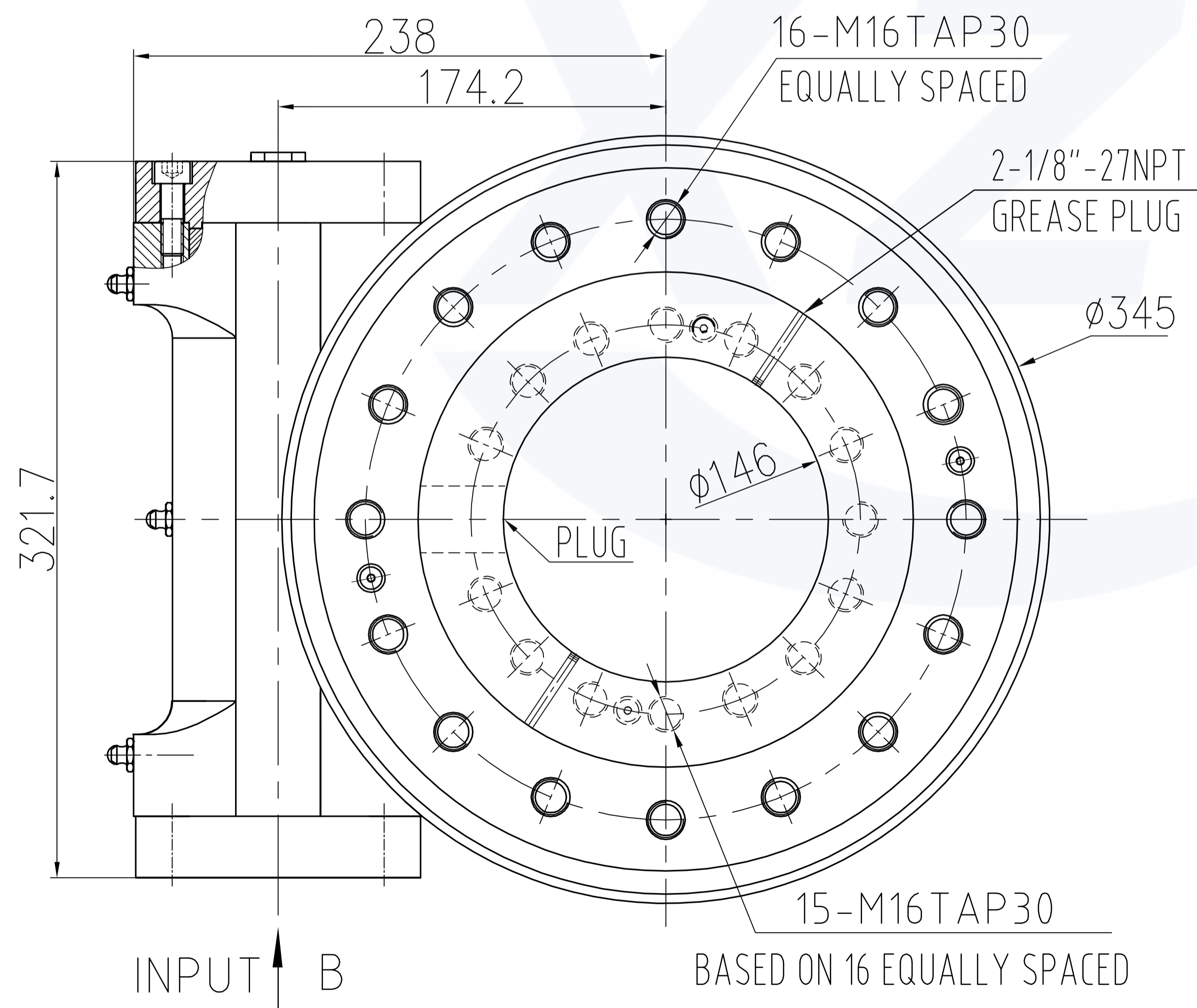
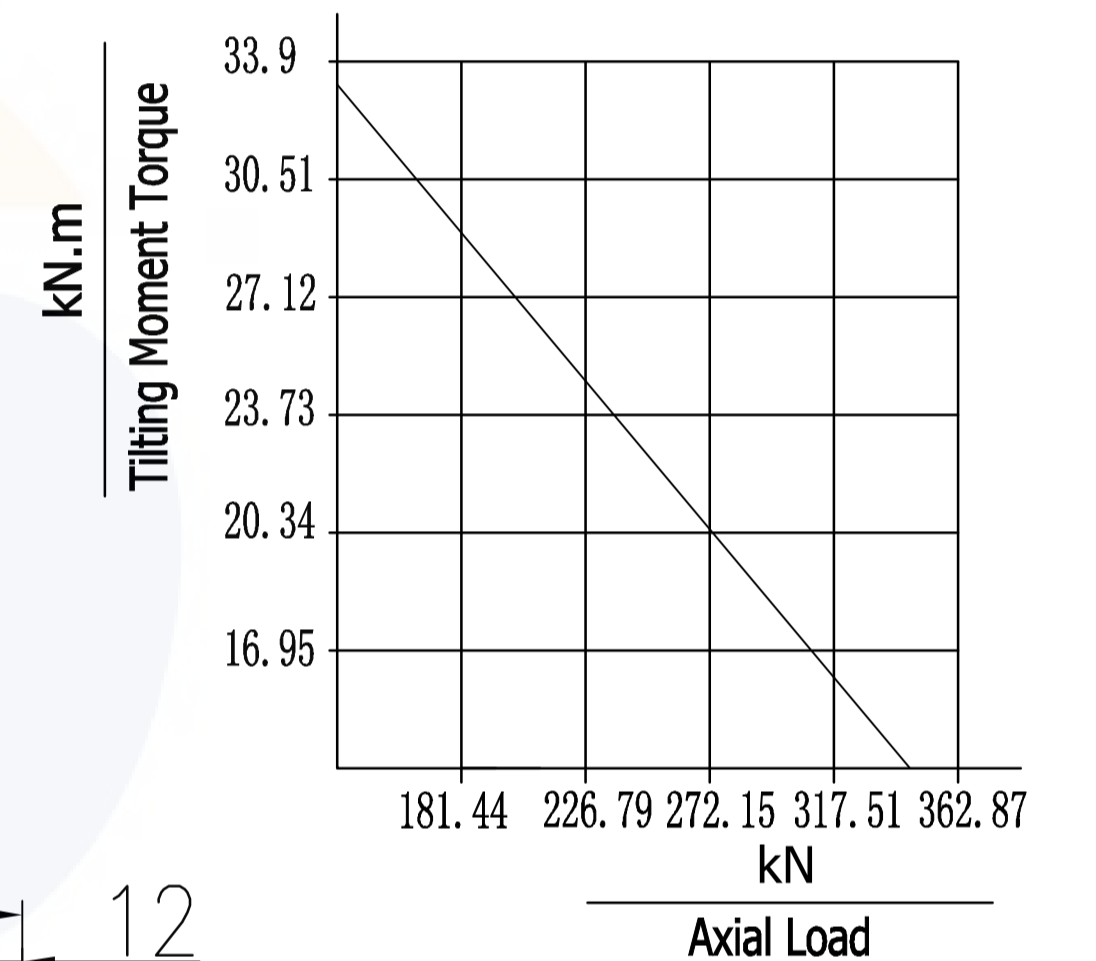


Slewing Drive Performance Data	
Gear Ratio	61:1
Rated Output Speed	≤3 rpm
Rated Output Torque	6.5 kN.m
Tilting Moment Torque	33.9 KN.m
Static Axial Rating	338 kN
Static Radial Rating	135 kN
Dynamic Axial Rating	81 kN
Dynamic Radial Rating	71 kN
Tracking Precision	≤0.17°
Self Locking Gears	Yes
Weight	50 kg



MOMENT LOAD CHART
Axial Load & Tilting Moment



REV	DATE	REVISER	DESCRIPTION			
DESIGNED BY			Xuzhou Wanda Slewing Bearing Co.,Ltd. www.slew-bearing.com Tel: +86-516-83309366 Fax: +86-516-83915766			
CHECKED BY						
APPROVED BY						
ALL PROPRIETARY RIGHTS IN THE SUBJECT MATTER HERE OF ARE RESERVED, AND NO PERMISSION IS GRANTED OR TO DISCLOSE REPRODUCE THIS PRINT IN WHOLE OR IN PART, ANY OF THE INFORMATION TO OTHERS.			WEIGHT	SCALE	SLEWING DRIVE	
SYMBOL ISO	SIZE	A3	SHEET	1/1		
					SE9-61-H-25R	REV A